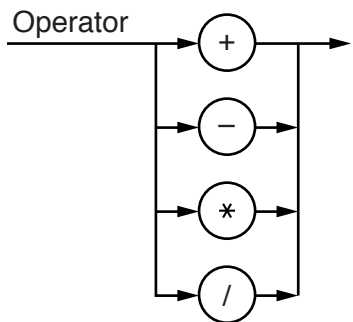
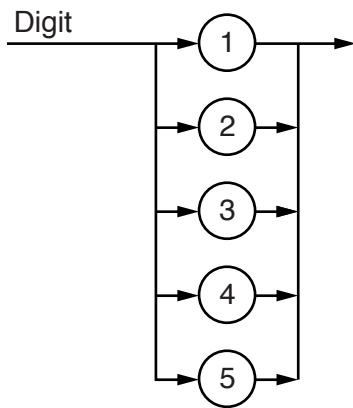
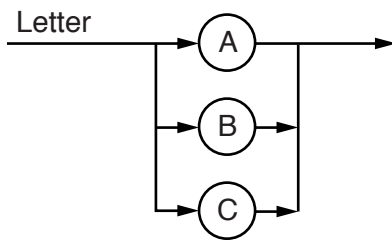
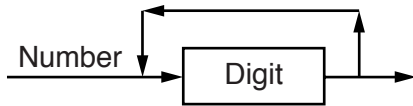
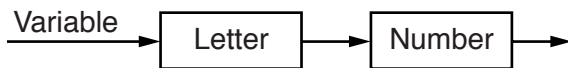
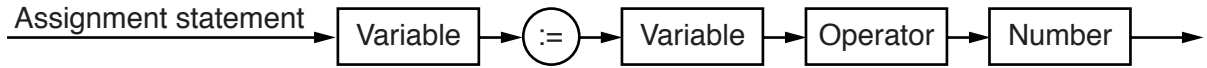


QUESTION 1.



1 The following syntax diagrams, for a particular programming language, show the

- an assignment statement
- a variable
- a number
- a letter
- a digit
- an operator





(a) The following assignment statements are invalid.

Give a reason in each case.

(i) $A2 = B3 + 123$

Reason

.....[1]

(ii) $B3 := B3 - 203$

Reason

.....[1]

(iii) $A2414 := A3 * B$

Reason

.....[1]

(b) Complete the Backus-Naur Form (BNF) for the syntax diagrams shown on the opposite page.

<letter> has been done for you.

<assignmentstatement> ::=

.....

<variable> ::=

.....

<number> ::=

.....

<letter> ::= A | B | C

<digit> ::=

.....

<operator> ::=

.....

[6]



(c) A company develops software. It provides virtual machines for its software. The company has a large number of clients who use a wide range of hardware and software.

(i) Explain the term virtual machine. Ensure that your answer includes the terms **hardware** and **software**.

.....
.....
.....
.....[2]

(ii) Give **one** benefit to the company of using virtual machines.

.....
.....[1]

(iii) Give **one** drawback to the company of using virtual machines.

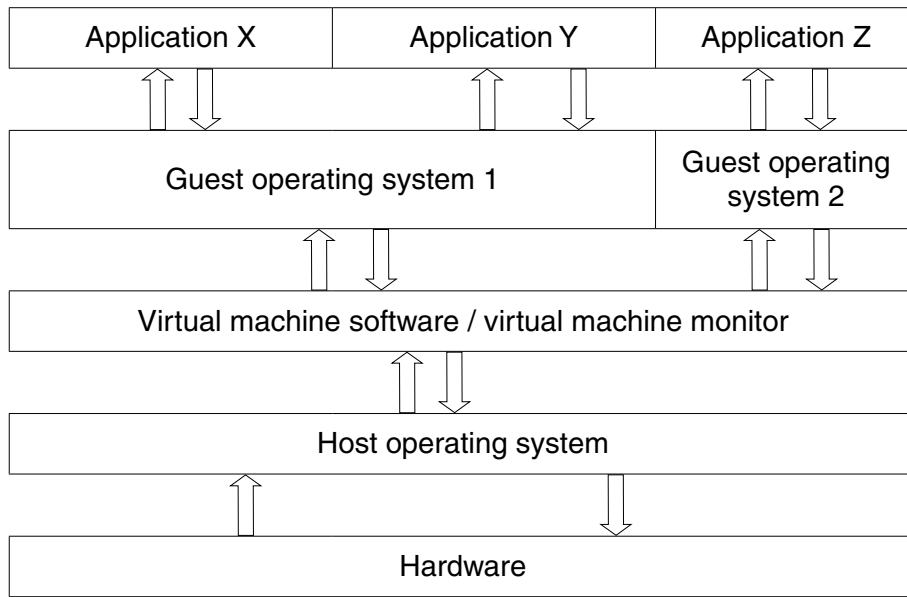
.....
.....[1]

QUESTION 2.

o



- 3 (a) The following diagram shows how applications X, Y and Z can run on a system.



- (i) The virtual machine software undertakes many tasks.

Describe **two** of these tasks.

Task 1

Task 2[2]

- (ii) Explain the difference between a **guest operating system** and a **host operating system**.

.....

.....

.....

.....[2]



(b) A company uses a computer as a web server. The manufacturer will no longer support the computer's operating system (OS) in six months' time. The company will then migrate to a replacement OS.

The company is also considering changing the web server software when the OS is changed.

Whenever any changes are made, it is important that the web server service is not disrupted.

In developing these changes, the company could use virtual machines.

(i) Describe **two** possible uses of virtual machines by the company.

Use 1
.....
.....
.....

Use 2
.....
.....
.....[4]

The web server often has to handle many simultaneous requests.

(ii) The company uses a virtual machine to test possible solutions to the changes that they will need to make.

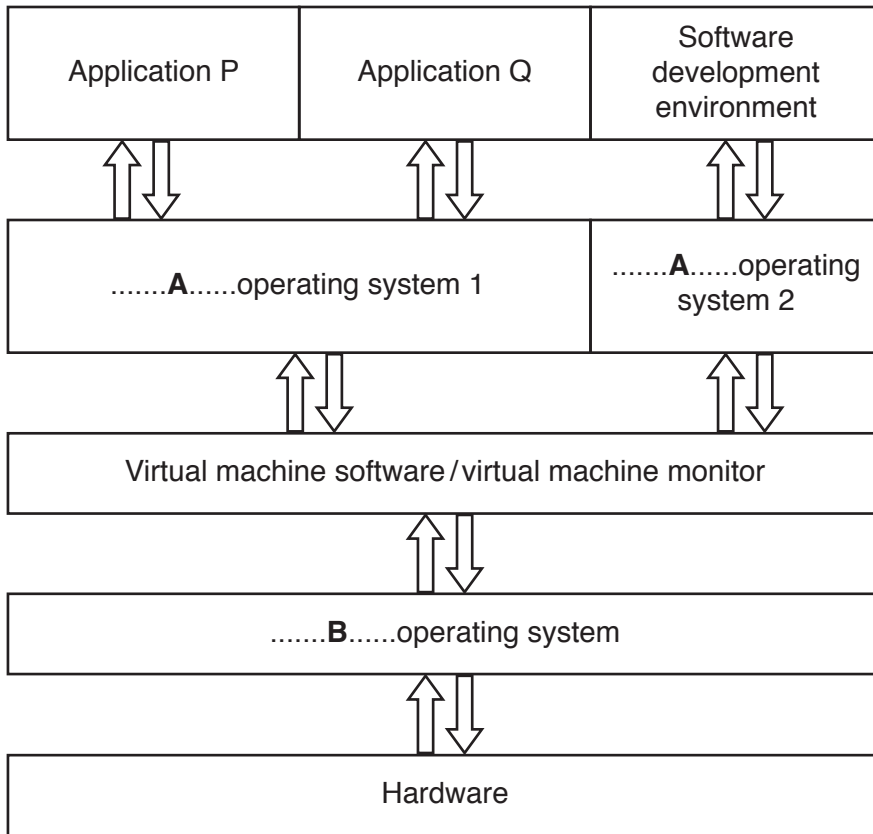
Explain **one** limitation of this approach.

.....
.....
.....
.....[2]

QUESTION 3.



- 3 (a) This diagram shows how applications P, Q and a software development environment run on a virtual machine system.



- (i) State the operating systems labelled **A** and **B** in the diagram.

A

B

[2]

- (ii) Application P is executing and requests data from a file.

Describe what happens after**A**.....operating system 1 has received the data request from the application.

.....
.....
.....
.....
.....
.....

[3]



(b) A software development company uses virtual machines to produce software.

(i) State **one** benefit to the company.

.....
.....[1]

(ii) Explain **two** limitations of this approach.

Limitation 1

.....
.....
.....

Limitation 2

.....
.....
.....

[4]